

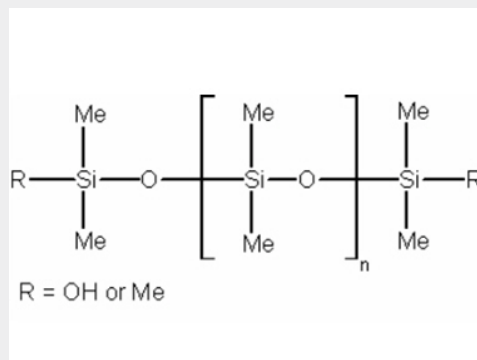
BELSIL® DM 3096



Silicone Fluids, functional (INCI)

BELSIL® DM 3096 is a blend of low-viscosity dimethicones and a high-molecular dimethiconol. Due to its composition, it combines the properties of the low-viscosity fluids and the extremely high-viscosity dimethiconol. The excellent spreading of the low-viscosity dimethicones allows a good distribution of the high-viscosity conditioning agent dimethiconol.

INCI Dimethicone, Dimethiconol



Technical data

General Characteristics

Property	Condition	Value	Method
Refractive index	25 °C	1.399	-
Silicone content	-	100 %	-
Appearance	-	colorless, clear	-
Density	25 °C	0.93 g/cm ³	DIN 51757
Viscosity, dynamic	25 °C	approx. 6000 mPa·s	DIN 53019

These figures are only intended as a guide and should not be used in preparing specifications.

All the information provided is in accordance with the present state of our knowledge. Nonetheless, we disclaim any warranty or liability whatsoever and reserve the right, at any time, to effect technical alterations. The information provided, as well as the product's fitness for an intended application, should be checked by the buyer in preliminary trials. Contractual terms and conditions always take precedence. This disclaimer of warranty and liability also applies particularly in foreign countries with respect to third parties' rights.

Applications

- Conditioners

- Eye Make-up
- Hair Care
- Hair Styling
- Lip Make-up
- Make-up
- Make-up Foundation
- Shampoos
- Skin Care
- Sun Care

Application details

BELSIL® DM 3096 is used in Hair Care and in Skin Care applications. In Skin Care formulations it provides a water-resistant, but breathable non-occlusive protection barrier. This provides good substantivity and fixation of active ingredients. Use of BELSIL® DM 3096 in Hair Care products yields sleek, shiny hair. Damaged hair regains a natural, healthy appearance. Wet and dry combability are improved, and further damage to the hair cuticles is prevented. It is also widely used in hair-tip fluids.

Packaging and storage

Storage

The 'Best use before end' date of each batch is shown on the product label. Storage beyond the date specified on the label does not necessarily mean that the product is no longer usable. In this case however, the properties required for the intended use must be checked for quality assurance reasons.

Safety notes

Comprehensive instructions are given in the corresponding Material Safety Data Sheets. They are available on request from WACKER subsidiaries or may be printed via WACKER web site <http://www.wacker.com>.

QR Code BELSIL® DM 3096



For technical, quality or product safety questions, please contact:

Wacker Chemie AG, Hanns-Seidel-Platz 4, 81737 Munich, Germany
productinformation@wacker.com, www.wacker.com

The data presented in this medium are in accordance with the present state of our knowledge but do not absolve the user from carefully checking all supplies immediately on receipt. We reserve the right to alter product constants within the scope of technical progress or new developments. The recommendations made in this medium should be checked by preliminary trials because of conditions during processing over which we have no control, especially where other companies' raw materials are also being used. The information provided by us does not absolve the user from the obligation of investigating the possibility of infringement of third parties' rights and, if necessary, clarifying the position. Recommendations for use do not constitute a warranty, either express or implied, of the fitness or suitability of the product for a particular purpose.