

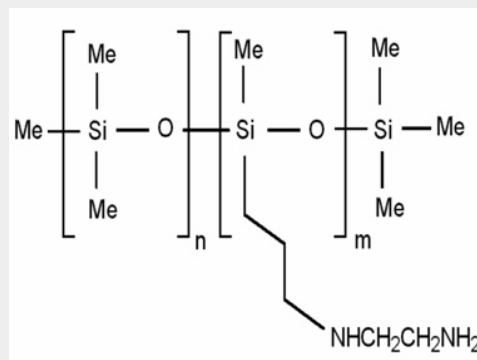
BELSIL[®] ADM 1650



Silicone Fluids, functional (INCI)

BELSIL[®] ADM 1650 is a non-reactive aminofunctional polydimethylsiloxane with an average viscosity of 1000 mm²/s.

INCI Amodimethicone



Technical data

General Characteristics

Property	Condition	Value	Method
Amine number	-	0.6 mmol/g	-
Appearance	-	clear, colorless	-
Reactivity	-	non-reactive	-
Structure	-	linear	-
Viscosity, dynamic	-	approx. 1000 mPa·s	-

These figures are only intended as a guide and should not be used in preparing specifications.

All the information provided is in accordance with the present state of our knowledge. Nonetheless, we disclaim any warranty or liability whatsoever and reserve the right, at any time, to effect technical alterations. The information provided, as well as the product's fitness for an intended application, should be checked by the buyer in preliminary trials. Contractual terms and conditions always take precedence. This disclaimer of warranty and liability also applies particularly in foreign countries with respect to third parties' rights.

Applications

- Conditioners

- Hair Styling
- Shampoos

Application details

The major field of application for BELSIL® ADM 1650 is hair care. When used in acidic shampoos, hair rinses and hair formulations, its amine group is protonated and a cationic polymer is obtained. This polymer readily coats the negatively charged surface of the hair, providing excellent conditioning properties. BELSIL® ADM 1650 improves wet and dry combing for damaged and natural hair and causes a soft and smooth hair feel.

Processing:

Recommended use levels of BELSIL® ADM 1650 in conditioning, shampoo and styling formulations are 0,25 % to 3 %.

Packaging and storage

Storage

The 'Best use before end' date of each batch is shown on the product label.

Storage beyond the date specified on the label does not necessarily mean that the product is no longer usable. In this case however, the properties required for the intended use must be checked for quality assurance reasons.

Safety notes

Comprehensive instructions are given in the corresponding Material Safety Data Sheets. They are available on request from WACKER subsidiaries or may be printed via WACKER web site <http://www.wacker.com>.

QR Code BELSIL® ADM 1650



For technical, quality or product safety questions, please contact:

Wacker Chemie AG, Hanns-Seidel-Platz 4, 81737 Munich, Germany
productinformation@wacker.com, www.wacker.com

The data presented in this medium are in accordance with the present state of our knowledge but do not absolve the user from carefully checking all supplies immediately on receipt. We reserve the right to alter product constants within the scope of technical progress or new developments. The recommendations made in this medium should be checked by preliminary trials because of conditions during processing over which we have no control, especially where other companies' raw materials are also being used. The information provided by us does not absolve the user from the obligation of investigating the possibility of infringement of third parties' rights and, if necessary, clarifying the position. Recommendations for use do not constitute a warranty, either express or implied, of the fitness or suitability of the product for a particular purpose.